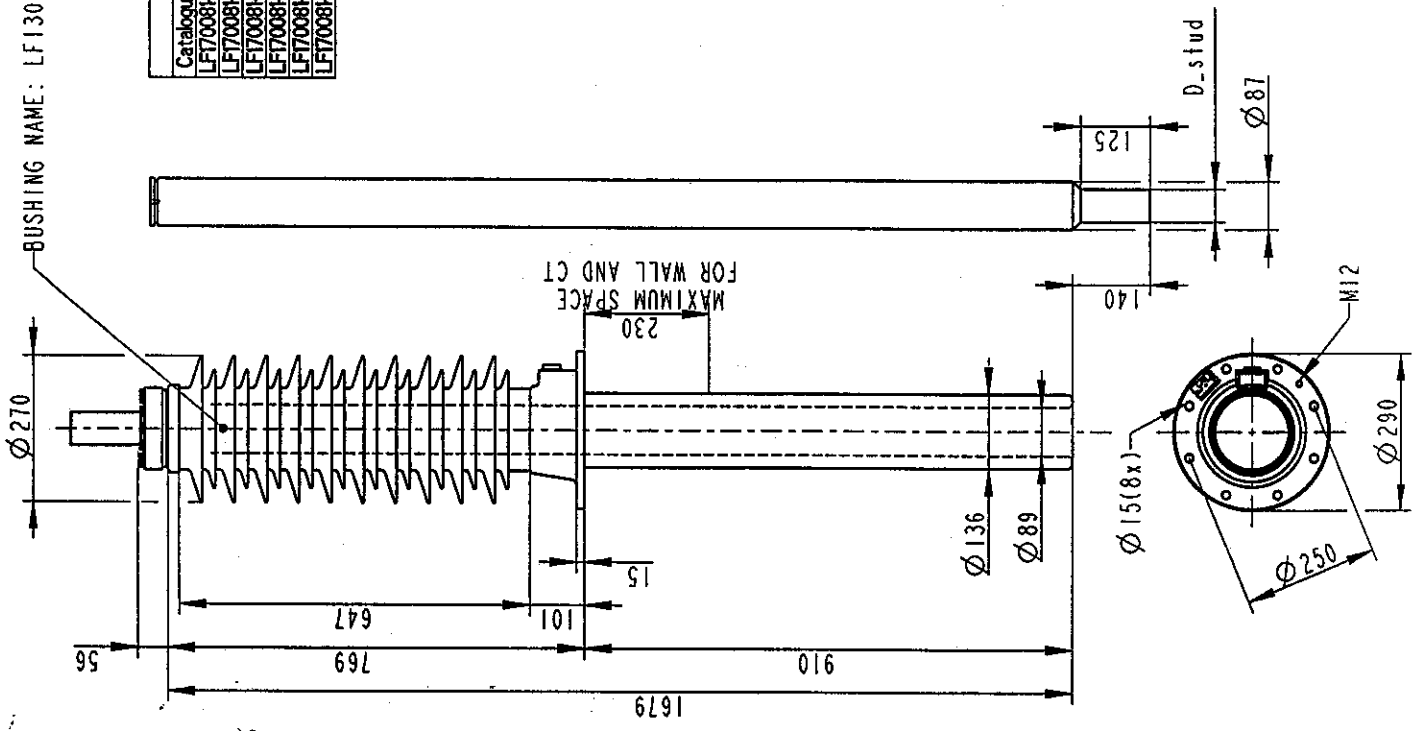


BUSHING NAME: LF130073-CD



SOLID CONDUCTOR	
Catalogue No.	MASS MATERIAL
LF170079-BA	AL
LF170079-BC	CU
LF170079-BE	AL
LF170079-BF	CU

OUTER TERMINAL	
Catalogue No	MASS
LF170079-BA	AL
LF170079-BC	CU
LF170079-BE	AL
LF170079-BF	CU

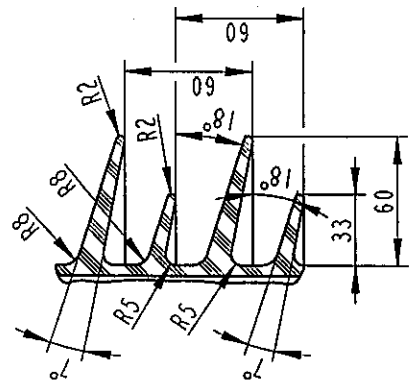
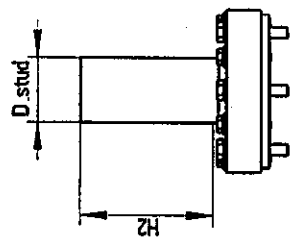


ABB Components Luleå, Sweden	
GSA73-AA/4000 LF130073-CD	
No.	73/73
Rated voltage	4000 A 50/60 Hz
Creepage distance	350 / - / 140 kV
Mass	33 kg
Temp class	L 90 V 0-90
Insulation class	II
Rated max. line to ground voltage	44 kV
Max current with Cu-conductor	4000 A
Max current with Al-conductor	350 A

ELECTRICAL DATA, according to IEC 137	
Ratings	Rated voltage 73 kV
	Max phase to earth voltage, temporary 73 kV
	Max current with Cu-conductor 4000 A
	Max current with Al-conductor 350 A
	Dry lightning impulse 350 kV
	Wet power frequency 140 kV
Routine test	Dry power frequency 140 kV
Capacitance	Nominal capacitance 756 pF

GENERAL DATA, according to IEC 137	
Silicone rubber insulator	Creepage distance 2323 mm
	Protected creepage distance 1000 mm
	Colour GREY RAL 7035
Mass	Mass bushing 33 kg
Cantilever load	Cantilever test load, heavy load 4000 N
	Max cantilever operating load, bushing 2000 N
Temp class	Temperature class CLASS 2
Mounting and service instructions	2750 515-133

ELECTRICAL DATA according to ANSI C57.19.00	
Ratings	Insulation class 69 kV
	Rated max. line to ground voltage 44 kV
	Max current with Cu-conductor 4000 A
	Max current with Al-conductor 350 A
Dim. requirements acc. to C57.19.01 not fulfilled.	

Based on	
Prepared	LINUSSON
Approved	JACOBSON
Revision	
Signatures acc. to Revision 0 are valid	
Signatures acc. to Revision 0 are valid	
Signatures acc. to Revision 0 are valid	
Signatures acc. to Revision 0 are valid	
Production engineering review	ASMO
Inspection engineering review	JOHANSSON
Design engineering review	PETRICI
Title	
AIR-AIR BUSHING	
GSA73-AA/4000	
Language 82	
Page 1(11)	
Document No. 2751362-BCD	

Rev. no.	Revis. no.	Appr.	Date
1	Drawing changed	CL	96.56
2	Drawing changed	FP	98.08
3	Redrawn	LOS	98.44

5 6

4

3

2

1

A

B

C

Reserve all rights in this document and in the drawings and/or parts, reproduced or not, in any form or by any means, without express written permission from ABB.